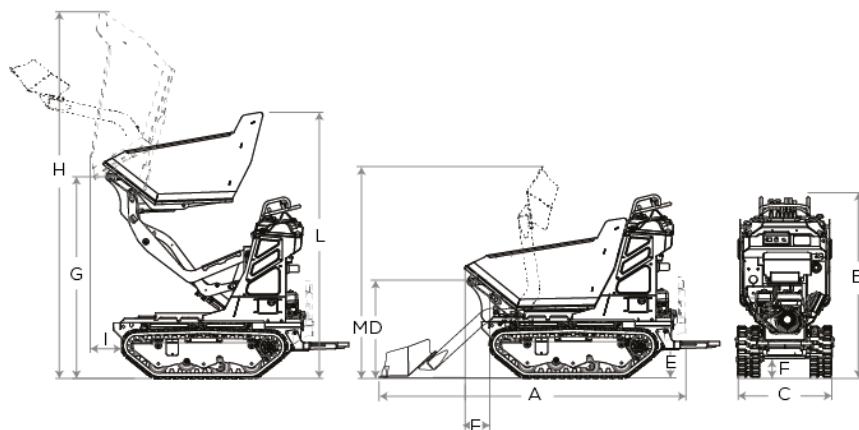
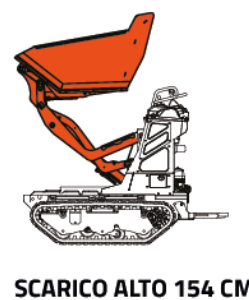




# HIAC

(cassone ribaltabile frontale + braccio autocaricante + scarico alto)



## HIAC

	mm	in
A	2300	90.6
B	1388	54.6
C	756	29.8
D	730	28.7
E	200	7.9
F	140	5.5
G	1540	60.6
H	2800	110.2
I	214	8.4
L	2033	80.0
M	1528	60.2

**CAPACITÀ  
OPERATIVA**      **550 Kg**  
**1213 Lbs**

**PESO  
TOTALE**              **623 Kg**  
**1374 Lbs**

**RASO**                      **0,23 m<sup>3</sup>**  
**0.30 yd<sup>3</sup>**

**COLMO SAE**              **0,30 m<sup>3</sup>**  
**0.39 yd<sup>3</sup>**

