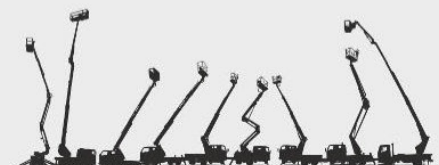




**cmc**<sup>®</sup>  
AERIAL PLATFORMS

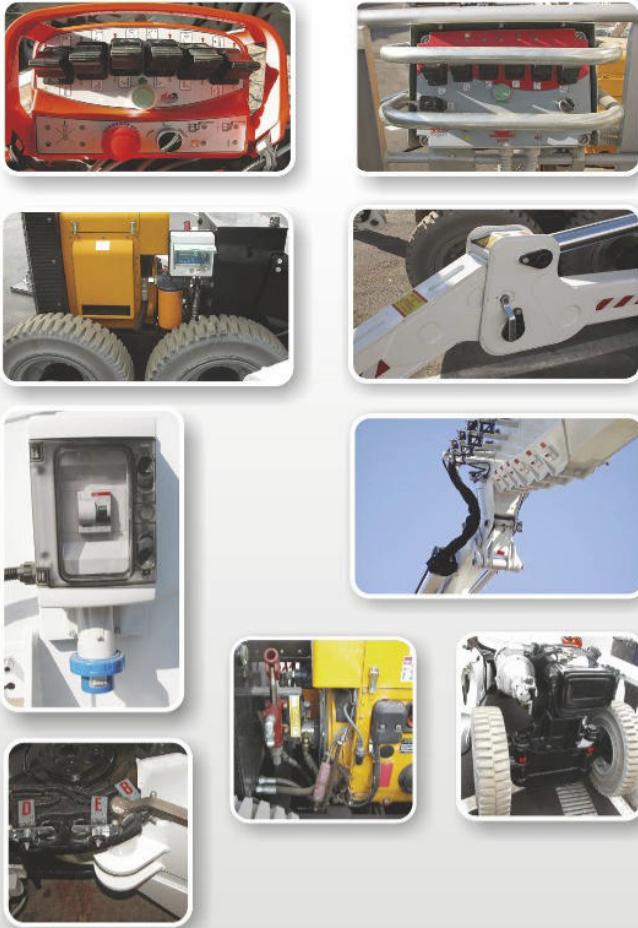


**S41**

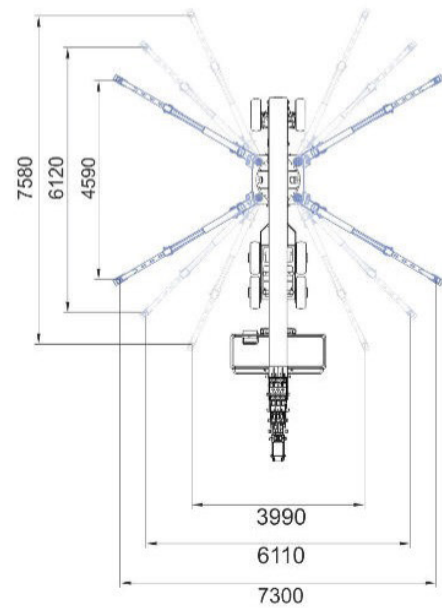
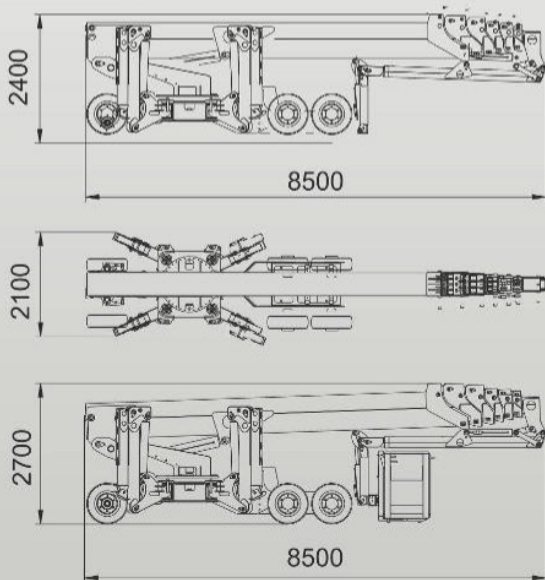
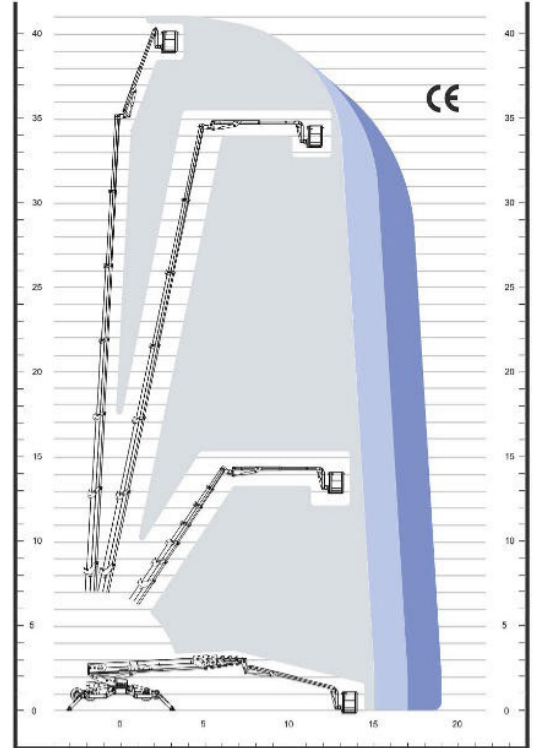




# CMCS41



STABILIZATION



INK STUDIO ITALIA

